

DS-2TP31-3AUF

Handheld Thermography Camera



The handheld thermography camera, specially designed for temperature measurement in transformer substation. It's equipped with a 160×120 resolution thermal detector. It helps the staff to quickly find the fault according to accurate temperature measurement of high temperature targets in the environment. Meanwhile it provides assistant decision and ensure safety. The device is mainly applied to various industries, such as Building, HVAC, and auto industry, etc.,

Key Features

- 160 × 120 resolution
- 320 × 240 resolution 2.4" LCD display
- Built-in rechargeable Li-ion battery
- Up to 8 hours continuous running
- Thermometry D:S = 75:1, a circular target with a diameter of 1 cm can be measured accurately within a distance of 75 cm.

Functions

Thermography

Device detects the real-time temperature, and display it on the screen.

Storage

Device is equipped with replaceable memory card to store recorded captured snapshots, and important data.

Palette

Device supports 4 palettes.

Laser Light Supplement:

Long-distance laser light supplement to point the thermography target.

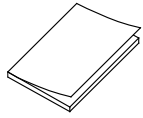


Specification

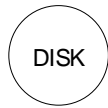
| | | Model | DS-2TP31-3AUF |
|----------------|---------------------------------------------------------------------------|------------------------------------------------------------------------------|---------------|
| Parameter | | Handheld Thermography Camera | |
| Thermal Module | Image sensor | Uncooled Focal Plane Arrays | |
| | Max. Resolution | 160 × 120 | |
| | Pixel Pitch | 17μm | |
| | Response waveband | 8μm to 14μm | |
| | NETD | < 40mK (@ 25 °C, F#=1.0) | |
| | Field of View | 37.2° × 50 ° | |
| | Focal length | 3.1 mm | |
| | IFOV (mrad) | 5.48 mrad | |
| | Min. Focus Length | ≥ 150 mm | |
| | Aperture | F 1.1 | |
| Image Display | Monitor | 320 × 240 resolution 2.4'' LCD display | |
| | Palettes | Black hot, White hot, Rainbow, Ironbow | |
| Thermography | Rules | 3 thermometry points: Max. Temperature; Min. Temperature; Center Temperature | |
| | Thermometry Range | -20 °C to 550 °C (-4 °F to 1022 °F) | |
| | Thermometry Accuracy | Max (±2 °C, ±2%) | |
| | Thermometry Distance | D:S = 75:1 | |
| Battery | Battery Type | Rechargeable Lithium Battery | |
| | Battery Operating Time | 8 hours continuous running | |
| Functions | Laser Light | Support (Point to the thermography target) | |
| | Storage | Replaceable memory card (default 8G, support up to 128G storage) | |
| | Photo | Thermal image | |
| | Video | N.A. | |
| | Language | English | |
| General | Power | 3.7 V DC/0.4 A | |
| | Power Consumption | Less than 1.2 W | |
| | Hardware Interface | micro USB | |
| | Working Temperature | -10 °C to 50 °C (14 °F to 122 °F) | |
| | Protection level | IP54 | |
| | Drop Test Height | 2 m (6.56 feet) | |
| | Dimension | 196 mm × 117 mm × 59 mm (7.7 " × 4.6 " × 2.3 ") | |
| | Weight | Approx. less than 350 g (0.77 lb) | |
| Accessory | Power Adaptor, USB cable, 8GB memory card, User manual, Disk, Wrist Strap | | |

Order Models
DS-2TP31-3AUF

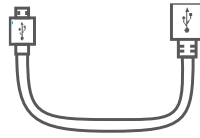
Box Content



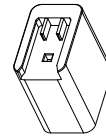
User Manual (×1)



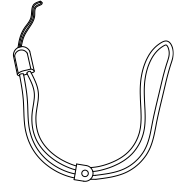
Disk (×1)



USB Cable (x1)

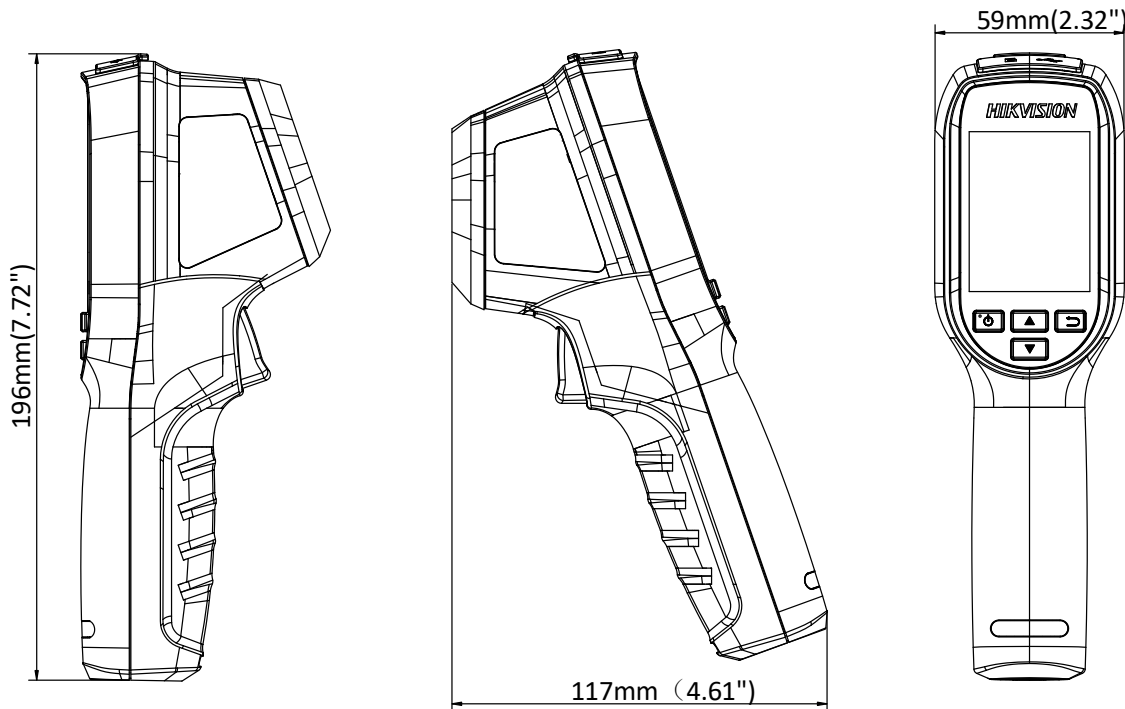


power Adapter
(x1)



Wrist Strap (x1)

Dimension



Distributed by



Avda. Cerdanyola, 79-81 Planta 5 Oficina 3 - 08172 Sant Cugat del Vallès (Barcelona) Tlf. + 34 936 222 111
 infoweb@innomediaseguridad.com - www.innomediaseguridad.com

HIKVISION®

Headquarters

No.555 Qianmo Road, Binjiang District,
 Hangzhou 310051, China
 T +86-571-8807-5998
 overseasbusiness@hikvision.com

Hikvision USA
 T +1-909-895-0400
 sales.usa@hikvision.com

Hikvision Australia
 T +61-2-8599-4233
 salesau@hikvision.com

Hikvision India
 T +91-22-28469900
 sales@pramahikvision.com

Hikvision Canada
 T +1-866-200-6690
 sales.canada@hikvision.com

Hikvision Thailand
 T +662-275-9949
 sales.thailand@hikvision.com

Hikvision Europe
 T +31-23-5542770
 sales.eu@hikvision.com

Hikvision Italy
 T +39-0438-6902
 info.it@hikvision.com

Hikvision Brazil
 T +55 11 3318-0050
 Latam.support@hikvision.com

Hikvision Turkey
 T +90 (216)521 7070- 7074
 sales.tr@hikvision.com

Hikvision Malaysia
 T +601-7652-2413
 sales.my@hikvision.com

Hikvision UK & Ireland
 T +01628-902140
 sales.uk@hikvision.com

Hikvision South Africa
 Tel: +27 (10) 0351172
 sale.africa@hikvision.com

Hikvision France
 T +33(0)1-85-330-450
 info.fr@hikvision.com

Hikvision Kazakhstan
 T +7-727-9730667
 nikia.panfilov@hikvision.ru

Hikvision Vietnam
 T +84-974270888
 sales.vt@hikvision.com

Hikvision UAE
 T +971-4-4432090
 salesme@hikvision.com

Hikvision Singapore
 T +65-6684-4718
 sg@hikvision.com

Hikvision Spain
 T +34-91-737-16-55
 info.es@hikvision.com

Hikvision Tashkent
 T +99-87-1238-9438
 uzb@hikvision.ru

Hikvision Hong Kong
 T +852-2151-1761
 info.hk@hikvision.com

Hikvision Russia
 T +7-495-669-67-99
 saleru@hikvision.com

Hikvision Korea
 T +82-(0)31-731-8817
 sales.korea@hikvision.com

Hikvision Poland
 T +48-22-460-01-50
 info.pl@hikvision.com

Hikvision Indonesia
 T +62-21-2933759
 Sales.Indonesia@hikvision.com

Hikvision Colombia
 sales.colombia@hikvision.com